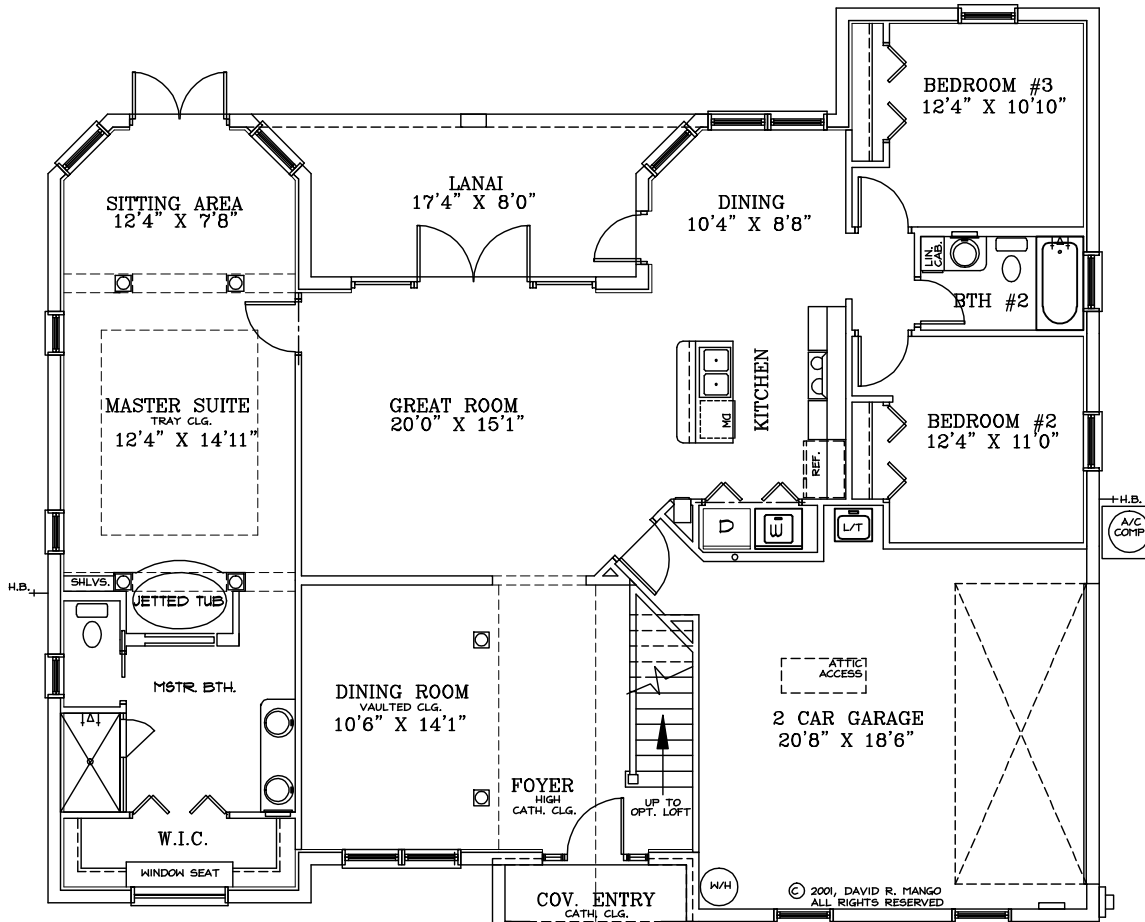


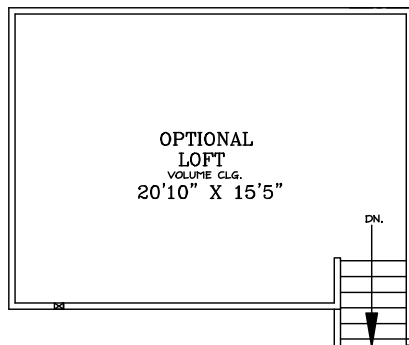


FRONT ELEVATION



All dimensions are approximate  
All dimensions are inside measurements.

# Plan # 01-1806



1ST FLOOR LIV.	1806
LANAI	160
COV. ENTRY	38
2 CAR GARAGE	442
<b>TOTAL</b>	<b>2446</b>
OPT. LOFT	394



© David R. Mango Design Group, Inc.  
www.davidmangodesign.com

David R. Mango Design Group, Inc. is the sole owner of this COPYRIGHTED design and reserves the right to make modifications to design without notice. Any reproduction of this design in whole or in part without the written consent of DRM Design Group, is prohibited. This design is protected under Federal Copyright Laws.